

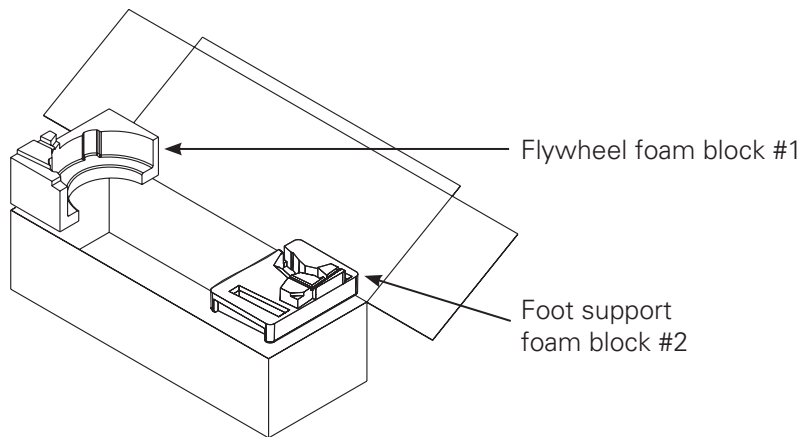
REBOXING MODEL D INDOOR ROWER

Applies to all Model Ds built after July 31, 2006.

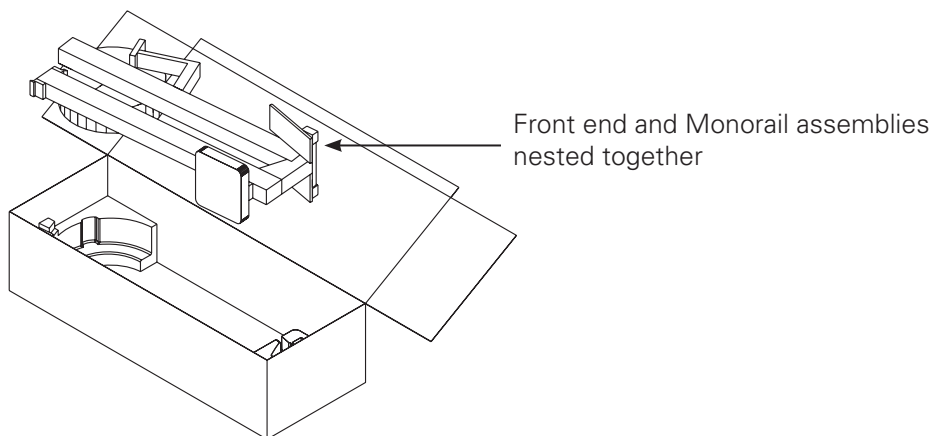
TOOLS NEEDED: 6 lobe driver, packing tape

- 1** Remove and disassemble the front legs. **Note: if your machine was manufactured between June 10, 2016 and the present, please see page 2.**

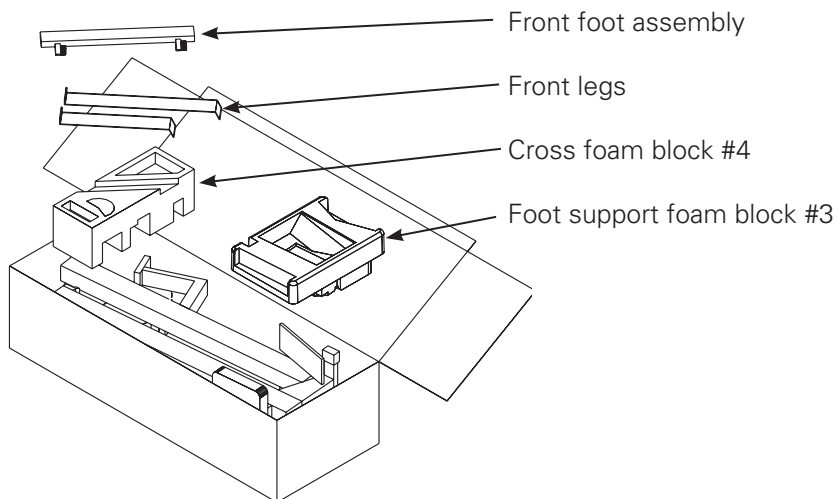
2



3



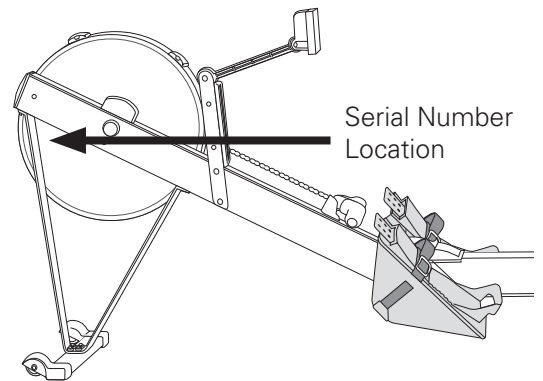
4



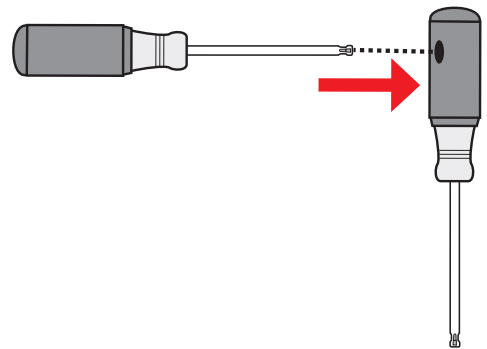
REBOXING MODEL D INDOOR ROWER

On Model D Indoor Rowers manufactured from **June 10, 2016 to present**, it may be difficult to remove the screws that attach the front legs to the box arm. To determine the age of your machine, inspect the serial number label (see illustration at right). The first group of numbers represents the date of manufacture.

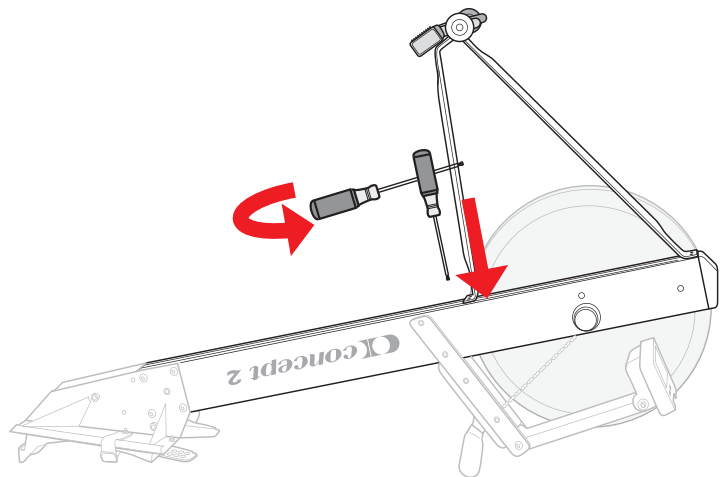
Loosen the screws using the following procedure:



- 1** Separate the front end from the monorail. Turn the front end over so that the legs are pointing up. Insert a screw driver of any type into the hole in the handle of the supplied 6-lobe driver. This will be used to add torque to loosen the screws.



- 2** Seat the 6-lobe driver in the head of the screw and apply firm downward pressure, while turning with the other driver to loosen the screw.



If you need further assistance, please call Concept2 at **800.245.5676** (US and Canada), or email rowing@concept2.com.